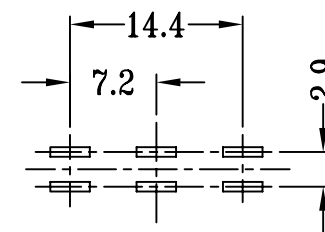
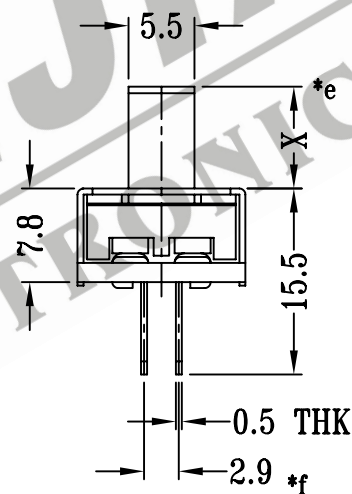
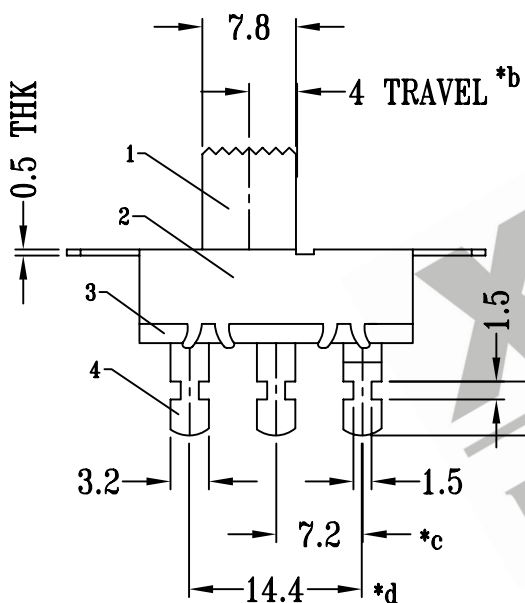
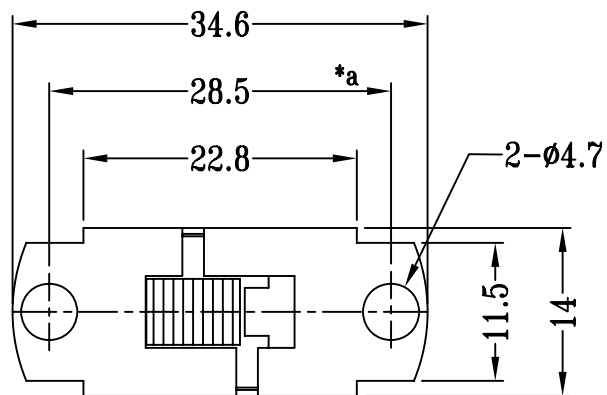
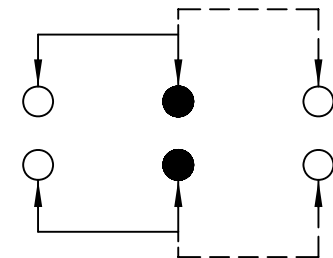


CAD FILE:



P.C.B LAYOUT



SCHEMATIC (NON-SHORTING)

注:带"*"表示关键尺寸(6个)

NO.	PARTS	MATERIALS	Q'TY	FINISH	TOLERANCE UNLESS SPECIFIED	SHENZHEN XIEJIA ELECTRONICS CO.,LTD.					
8					WITHIN: 1.5±0.1mm OVER : 1.5±0.2mm	ISSUE	DATE	DESCRIPTIONS OF REVISION		APPD.	
7											
6	CONTACT	COPPER STRIP	2	Ag PLATED	TITLE : VERTICAL SLIDE SWITCH				UNIT : mm		DRWG NO.: XJ-DR-SS22H08-00
5	SPRING PLATE	PBS STRIP	3	NATURAL					MODEL: SS-22H08		SCALE: 3:2
4	TERMINAL	COPPER STRIP	6	Ag PLATED OVER Ni PLATED	ALL MATERIALS MUST BE COMPLIANT TO ROHS				CHK'D	FANGYING	2003-8-11
3	BASE	PHENOLIC RESIN	1	BLACK					APPD.	KANGXINAN	2003-8-11
2	FRAME	STEEL STRIP	1	Zn PLATED							
1	KNOB	PC	1	BLACK							